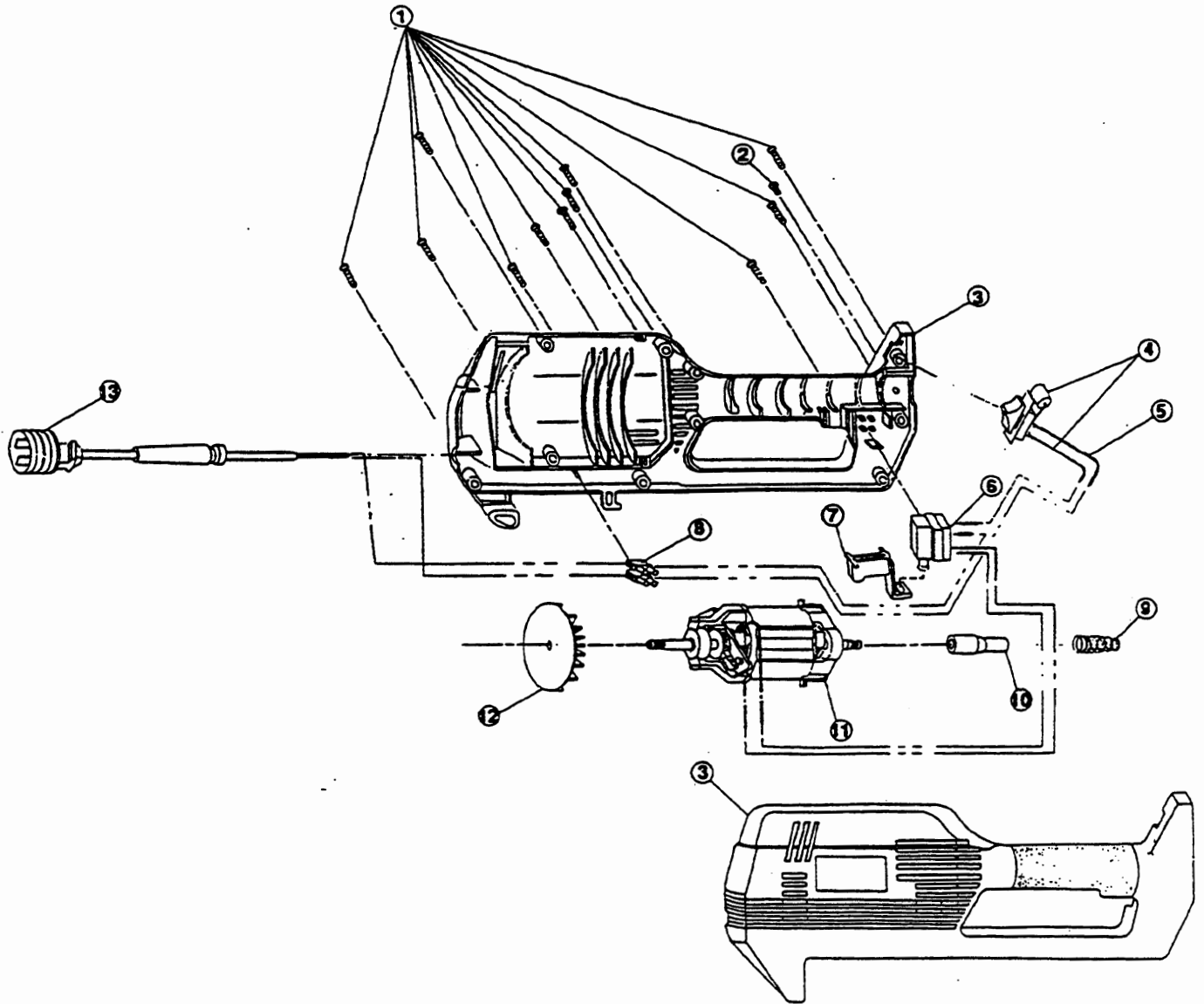


# MOTOR AND HOUSING PARTS - MODEL 135Pr

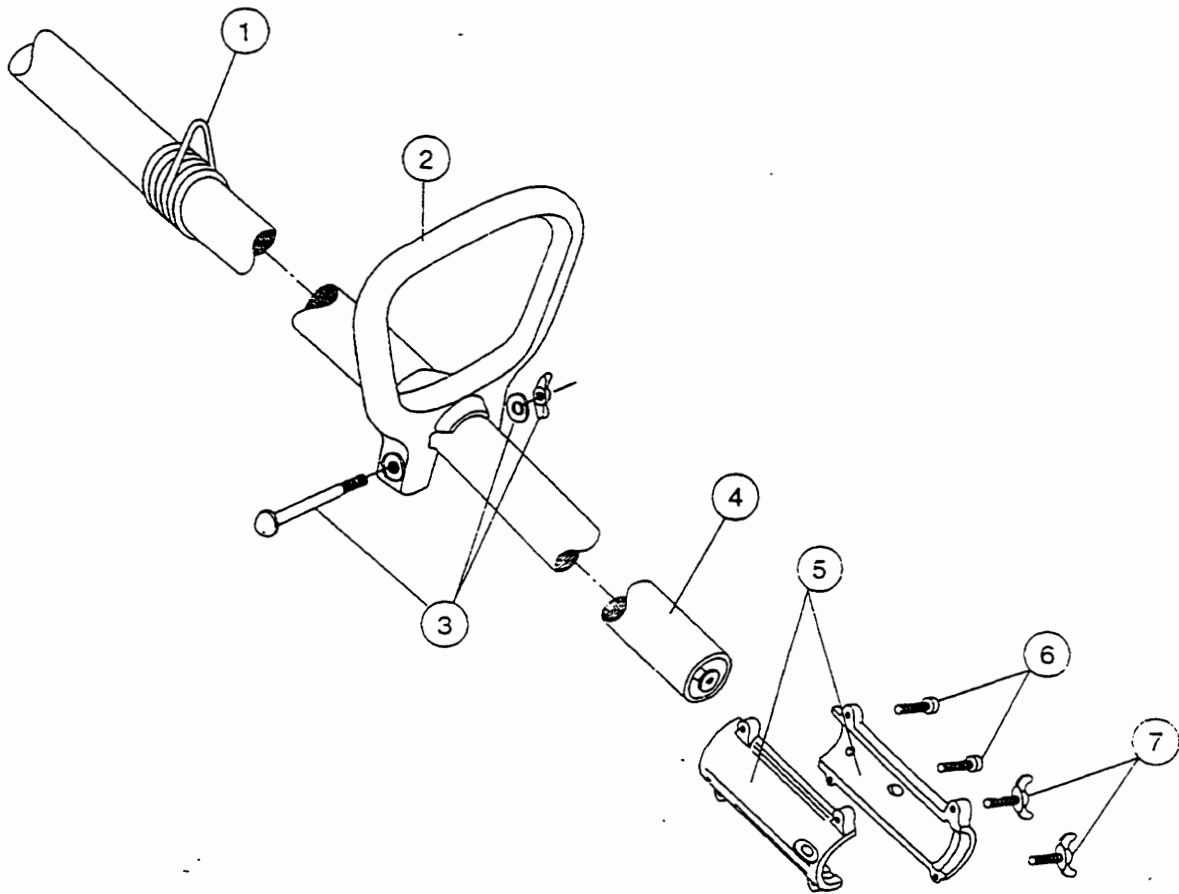
(Serial no. 505000001 and greater)



<u>Item</u>	<u>Part No.</u>	<u>Description</u>
1	180300	Screw Set
2	145569	Anti-Rotation Screw
3	180301	Motor Housing Assembly
4	180302	Two-Speed Switch Assembly
5	160559	Lead Wire
6	180150	Switch
7	180151	Trigger
8	180305	Terminal Block
9	612468	Spring
10	180152	Driver
11	180154	Motor
12	180155	Cooling Fan
13	180156	Power Cord

# D-HANDLE AND SPLIT-BOOM PARTS - MODEL 135Pr

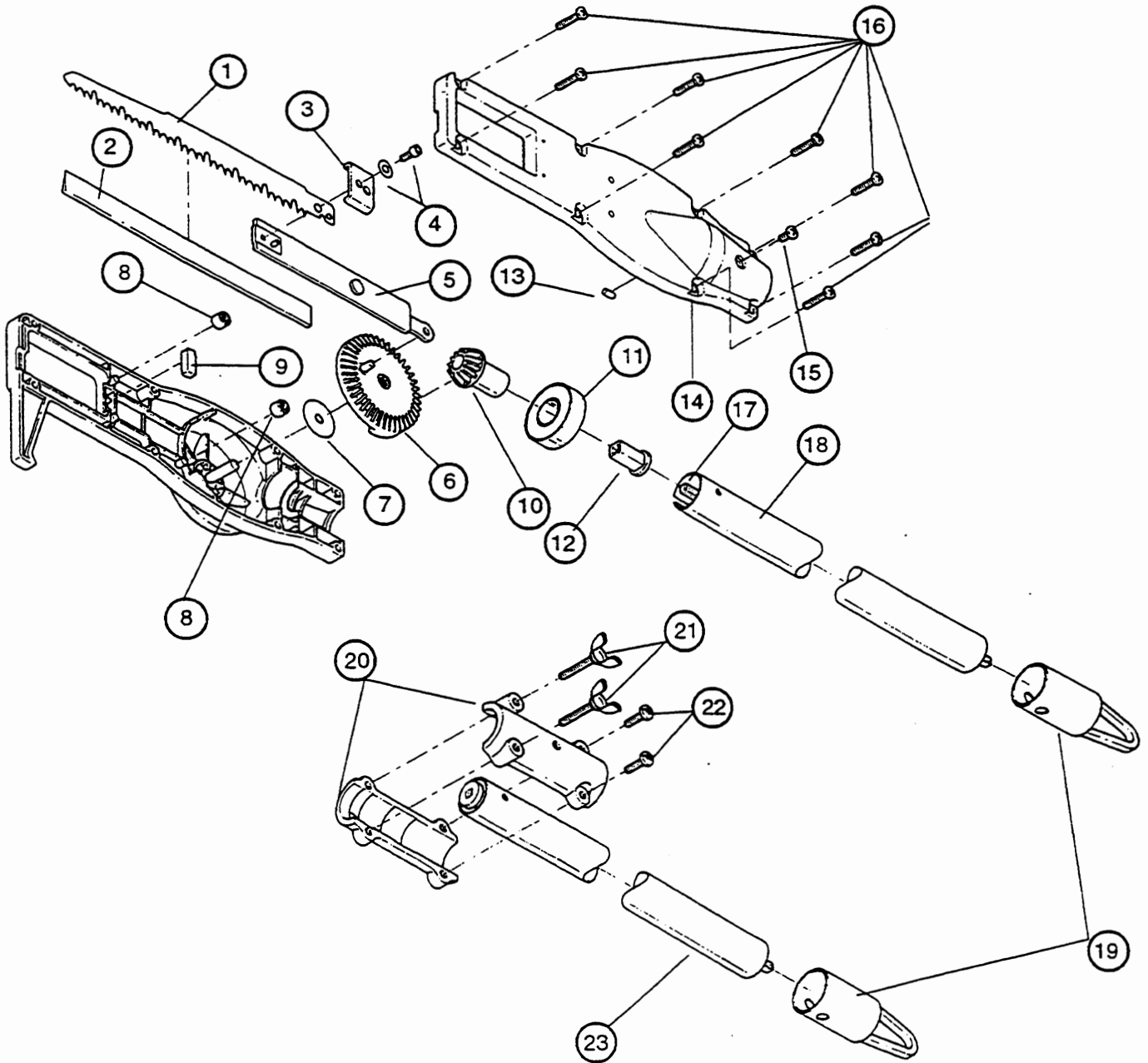
(Serial no. 505000001 and greater)



<u>Item</u>	<u>Part No.</u>	<u>Description</u>
1	610327	Shoulder Strap Clamp
2	145819	D-Handle
3	153523	D-Handle Hardware Assembly
4	180688	Upper Drive Shaft Assembly
5	683605	Split-Boom Coupling Set
6	683606	Coupling Bolt Assembly
7	683607	Adjustment Knob Assembly

# PRUNER ATTACHMENT PARTS - MODEL 135Pr

(Serial no. 505000001 and greater)



Item	Part No.	Description
1	180966R	Blade (2 pk)
2	181153	Blade Cover
3	181155	Blade Clamp
4	181156	Blade Clamp Screw and Washer Assembly
5	181157	Arbor Assembly
6	181158	Bevel Gear
7	181159	Washer
8	181595	Cross Slide Bushing
9	181594	Felt Seal
10	181160	Pinion Bevel Gear
11	180655	Ball Bearing
12	181162	Insulator
13	181163	Rubber Plug
14	181164	Housing Set

Item	Part No.	Description
15	180647	Housing Screws (8 required)
16	181165	Anti-Rotation Screw
17	181166	Drive Shaft Assembly
18	180689	Drive Shaft Housing Assembly
19	612605	Hanger
20	683605	Split Boom Coupling Set
21	683607R	Adjustment Knob Assembly
22	683606	Coupling Bolt Assembly
23	181161	Extension Boom and Flex Shaft Assembly
*	181167	Allen Wrench
*	682075R	Shoulder Strap Assembly
*		not shown